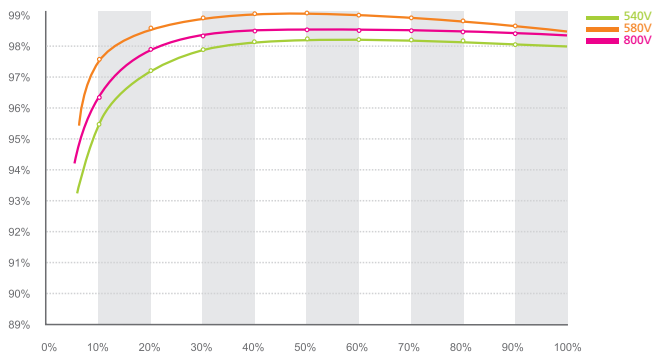


## Leading - edge Technology

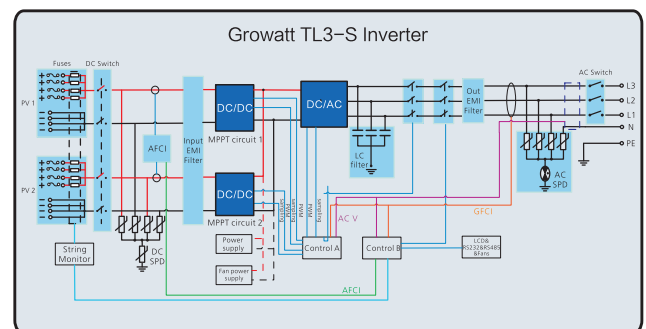
- ▶ Maximum efficiency of 99%
- ▶ Compact design
- ▶ Sound control
- ▶ Multi MPP controller
- ▶ MTL string
- ▶ Internal DC switch
- ▶ Optional AC switch
- ▶ Transformerless
- ▶ Smart string monitoring and Fuse protection
- ▶ Supporting AC power supply
- ▶ Easy installation
- ▶ Comprehensive warranty program
- ▶ Optional AFCI Function



Growatt 50000TL3-S efficiency



Growatt 30-50kTL3-S topology



Datasheet	Growatt 30000TL3-S	Growatt 33000TL3-S	Growatt 40000TL3-S	Growatt 50000TL3-S
<b>Input Data</b>				
Max recommended PV Power (for module STC)	37500W	41250W	50000W	60000W
Max DC voltage	1000V	1000V	1000V	1000V
Start Voltage	250V	250V	250V	250V
PV voltage range	200V - 1000V	200V - 1000V	200V - 1000V	200V - 1000V
Nominal voltage	580V	580V	580V	695V
Full load MPP voltage range	450V - 800V	450V - 800V	540V - 800V	645V - 850V
Max. input current	34A/34A	38A / 38A	38A / 38A	38A / 38A
Max. input current per string	12A	12A	12A	12A
Number of MPP trackers / strings per MPP tracker	2/4	2/4	2/4	2/4
<b>Output (AC)</b>				
Rated AC output power	30KW	33KW	40KW	48KW
Max. AC apparent power	33.3KVA	36.6KVA	44.4KVA	53.3KVA
Max. output current	48.3A	53A	64.5A	64.5A
AC nominal voltage	230V/400V	230V/400V	230V/400V	277V/480V
AC grid frequency	50/60Hz	50/60Hz	50/60Hz	50/60Hz
Power factor	0.8 leading - 0.8 lagging	0.8 leading - 0.8 lagging	0.8 leading - 0.8 lagging	0.8 leading - 0.8 lagging
THDi	<3%	<3%	<3%	<3%
AC grid connection type	3W+N+PE	3W+N+PE	3W+N+PE	3W+N+PE/3W+PE
<b>Efficiency</b>				
Max. efficiency	98.9%	98.9%	98.9%	99%
Euro - eta	98.4%	98.4%	98.5%	98.5%
MPPT efficiency	99.5%	99.5%	99.5%	99.5%
<b>Protection Devices</b>				
DC reverse polarity protection	yes	yes	yes	yes
DC Switch for each MPPT	yes	yes	yes	yes
AC Switch	opt	opt	opt	opt
DC Surge protection	Class II	Class II	Class II	Class II
Ground fault monitoring	yes	yes	yes	yes
Output short circuit protection	yes	yes	yes	yes
AC Surge protection	Class II	Class II	Class II	Class II
String Fuse protection	yes	yes	yes	yes
String fault monitoring	yes	yes	yes	yes
Anti-PID protection	yes	yes	yes	yes
AFCI protection	opt	opt	opt	opt
<b>General Data</b>				
Dimensions (W / H / D)	470/754/270 mm	470/754/270 mm	470/754/270 mm	470/754/270 mm
Weight	48kg	48kg	48kg	48kg
Operating temperature range	-25 °C ... +60 °C (with derating above45°C)	-25 °C ... +60 °C (with derating above45°C)	-25 °C ... +60 °C (with derating above45°C)	-25 °C ... +60 °C (with derating above45°C)
Noise emission (typical)	≤50 dB(A)	≤50 dB(A)	≤50 dB(A)	≤50 dB(A)
Self-Consumption (night)	<1W	<1W	<1W	<1W
Topology	Transformerless	Transformerless	Transformerless	Transformerless
Cooling concept	Smart cooling	Smart cooling	Smart cooling	Smart cooling
Environmental Protection Rating	IP65	IP65	IP65	IP65
Altitude	2000m without derating	2000m without derating	2000m without derating	2000m without derating
Relative Humidity	0~100%	0~100%	0~100%	0~100%
<b>Features</b>				
Display	Graphic LCD	Graphic LCD	Graphic LCD	Graphic LCD
Interfaces: RS232/R485/WiFi/LAN/GPRS	yes / yes / opt / opt / opt	yes / yes / opt / opt / opt	yes / yes / opt / opt / opt	yes / yes / opt / opt / opt
Warranty:5 years / 10 years	yes / opt	yes / opt	yes / opt	yes / opt
<b>Certificates and Approvals</b>				